

A RELIABLE PARTNER YOU CAN TRUST

sales@oilongvalve.com



SHANGHAI OILONG VALVE

ADD: Room 716, Building B, No.399 Zhongren Road,
Shanghai, China. P.C 201802

TEL: +86 21 61362291

EMAIL: sales@oilongvalve.com | oilongvalve@gmail.com

WEBSITE: www.oilongvalve.com

Scan WhatsApp for valve inquiry



Profession | Reliability | Efficiency



Cast Gate / Globe / Check Valves

CAST STEEL VALVES

Design Standard: API 600/ASME B16.34

Size Range: ½" ~ 48"

Pressure Class: 150 ~ 2500

End Connection: BW / Flanged



www.oilongvalve.com

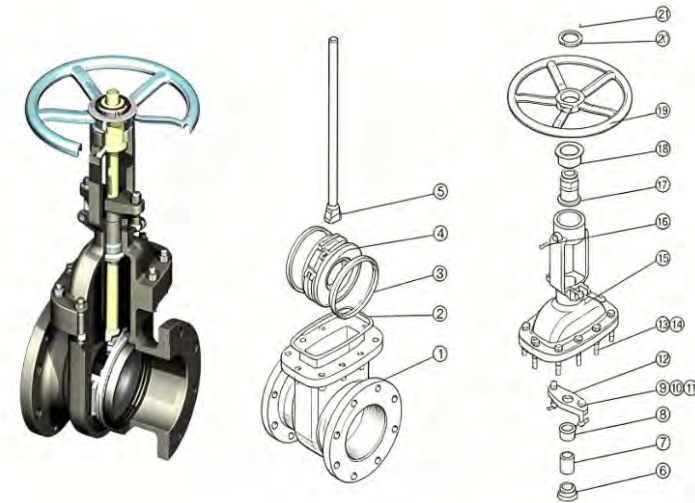
GATE VALVE



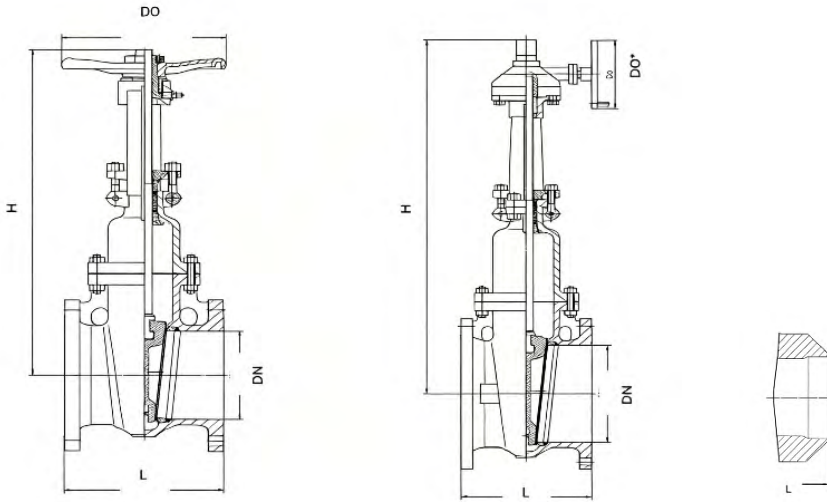
Features - Bolted Bonnet, Outside Screw and Yoke, Rising Stem, Flexible Wedge

CAST STEEL BOLTED BONNET GATE VALVE

SIZES: 2" TO 48" (50MM TO 1200MM) PRESSURE CLASS: 150 TO 1500



NO.	Part	Trim 8 (Standard)	Trim 12 (Low Temp)	Trim 5 (High Temp)	Trim 12 (Stainless)
1	BODY	ASTM A216 WCB	ASTM A352 LCC	ASTM A217 WC6	ASTM A351 CF8M
2	GASKET	304+Graphite	304+Graphite	304+Graphite	316+Graphite
3	SEAT RING	ASTM A105+STL	ASTM A350 LF2+STL	ASTM A182 F11+STL	ASTM A182 F316+STL
4	WEDGE	ASTM A216 WCB+410	ASTM A352 LCC+316	ASTM A217 WC6+STL	ASTM A351 CF8M
5	STEM	ASTM A276 410	ASTM A182 F316	ASTM A182 F6a	ASTM A182 F316
6	BACK SEAT	ASTM A276 410	ASTM A1276 316	ASTM A479 410	ASTM A276 316
7	PACKING	Flexible Graphite	Flexible Graphite	Flexible Graphite	Flexible Graphite
8	GLAND	ASTM A479 410	ASTM A479 410	ASTM A479 410	ASTM A276 316
9	EYEBOLT	ASTM A193-B7/B7M	ASTM A320-L7/L7M	ASTM A193 B16	ASTM A193 B8M
10	NUT	ASTM A194 2H/2HM	ASTM A194 7/7M	ASTM A194 7/7M	ASTM A194 8M
11	PIN	AISI 1045	AISI 1045	AISI 1045	ASTM A276 420
12	GLAND FLANGE	ASTM A216 WCB	ASTM A352 LCC	ASTM A217 WC6	ASTM A351 CF8M
13	BONNET BOLT	ASTM A193-B7/B7M	ASTM A320-L7/L7M	ASTM A193 B16	ASTM A193 B8M
14	BONNET NUT	ASTM A194 2H/2HM	ASTM A194 7/7M	ASTM A194 7/7M	ASTM A194 8M
15	BONNET	ASTM A216 WCB	ASTM A352 LCC	ASTM A217 WC6	ASTM A351 CF8M
16	GREASE NIPPLE	AISI 1025	AISI 1025	AISI 1025	ASTM A276 304
17	STEM NUT	ASTM A439 D-2	ASTM A439 D-2	ASTM A439 D-2	ASTM A439 D-2
18	RETAINING NUT	AISI 1025	AISI 1025	AISI 1025	ASTM A276 420
19	HANDWHEEL	ASTM A536	ASTM A536	ASTM A536	ASTM A536
20	HANDWHEEL NUT	AISI 1025	AISI 1025	AISI 1025	ASTM A276 420
21	SCREW	AISI 1035	AISI 1035	AISI 1035	ASTM A276 304



CLASS 150		DIMENSIONS (mm)					Weight
SIZE	DN	L(RF)	L(BW)	H(close)	DO	(kg)	
2"	51	178	178	313	200	15	
3"	76	203	203	371	250	29	
4"	100	229	229	438	250	43	
6"	150	267	267	587	300	75	
8"	203.2	292	292	720	350	112	
10"	250	330.2	330.2	863	450	182	
12"	300	356	356	1020	500	266	
14"	337	381	381	1528	460	320	
16"	387	406	406	1713	460	431	
18"	438	432	432	1956	460	620	
20"	489	457	457	2131	460	708	
24"	590.6	508	508	2635	610	1195	
26"	641	559	559	2740	610	1700	
28"	692.2	610	610	3015	610	1788	
30"	743	610	610	3210	710	1843	
32"	781	660	660	3358	610	2550	
36"	876	711	711	3714	710	2980	
38"	927	737	737	4011	610	3800	
40"	978	762	762	4352	810	4250	
42"	1022	787	787	4446	810	5400	

Note: 14" and above with Gear operation or on request. 10" and above with separate yoke construction.
All related data and parameters are for reference only and are subject to change without notice.

Cast Steel Bolted Bonnet Gate Valve

Design and Manufacturing Standards
Design: ASME B16.34 / API 600
Flange Dimensions: ASME B16.5/ ASME B16.47
BW End Dimensions: ASME B16.25
Face to Face Dimensions: ASME B16.10
Tested and Inspected: API 598

CLASS 300		DIMENSIONS (mm)					Weight
SIZE	DN	L(RF)	L(BW)	H(close)	W	(kg)	
2"	51	216	216	331	200	21	
3"	76	282	282	390	250	44	
4"	100	305	305	473	300	63	
6"	152.4	403	403	605	350	110	
8"	203.2	419	419	749	450	203	
10"	254	457	457	911	500	279	
12"	305	502	502	1044	600	403	
14"	337	762	762	1576	460	654	
16"	387	838	838	1760	460	880	
18"	432	914	914	1972	460	1108	
20"	482.6	991	991	2176	610	1695	
24"	584.2	1143	1143	2632	710	2420	
26"	635	1245	1245	2865	610	3050	
28"	685.8	1346	1346	3092	610	3893	
30"	737	1397	1397	3186	800	4005	
32"	781	1524	1524	3510	1000	5160	
34"	838	1626	1626	3561	800	5600	
36"	876	1727	1727	3845	800	6300	
40"	978	1930	1930	4414	800	8000	

Note: 12" and above with Gear operation or on request.

CLASS 600		DIMENSIONS (mm)					Weight
SIZE	DN	L(RF)	L(BW)	H(close)	Do	(kg)	
2"	51	292	292	331	200	28	
3"	76	356	356	405	300	59	
4"	100	432	432	486	300	105	
6"	152	559	559	664	500	202	
8"	200	660	660	781	600	347	
10"	248	787	787	1253	460	572	
12"	298.5	838	838	1490	460	743	
14"	327	889	889	1610	460	1016	
16"	375	991	991	1830	710	1351	
18"	419.2	1092	1092	1991	610	1750	
20"	463.6	1194	1194	2168	710	2246	
24"	559	1397	1397	2567	610	3300	
28"	647.7	1549	1549	2867	800	4554	
30"	695	1664	1664	3382	1000	6000	
32"	737	1778	1778	3711	1000	7500	
36"	838	2083	2083	3840	1000	9200	
40"	925	2032	2032	4270	1000	16000	

Note: 10" and above with Gear operation or on request.

All related data and parameters are for reference only and are subject to change without notice.

Cast Steel Gate Valve

CLASS 900		DIMENSIONS (mm)					Weight
SIZE	DN	L(RF)	L(BW)	H(close)	W	(kg)	
2"	51	371	371	399	300	66	
3"	73	384	384	475	300	84	
4"	98.5	460	460	509	350	130	
6"	146	613	613	656	600	297	
8"	190.5	740	740	1050	460	527	
10"	238	841	841	1283	610	782	
12"	283	968	968	1660	610	1320	
14"	311	1033	1033	1850	610	1700	
16"	356	1134	1134	1874	610	2000	
18"	400	1219	1219	2088	800	2500	
20"	444.5	1334	1334	2417	810	3800	
24"	533	1568	1568	2708	810	5900	

Note: 8" and above with Gear operation or on request.

CLASS 1500		DIMENSIONS (mm)					Weight
SIZE	DN	L(RF)	L(BW)	H(close)	Do	(kg)	
2"	51	371	371	399	300	66	
3"	71	473	473	475	350	125	
4"	92	549	549	518	450	196	
6"	137	711	711	921	460	446	
8"	178	842	842	1155	610	842	
10"	222.3	1001	1001	1376	710	1348	
12"	263.4	1146	1146	1557	610	2162	
14"	288.8	1276.4	1276.4	1923	810	2500	
16"	330.2	1406	1406	2027	810	4000	

Note: 6" and above with Gear operation or on request.

All related data and parameters are for reference only and are subject to change without notice.

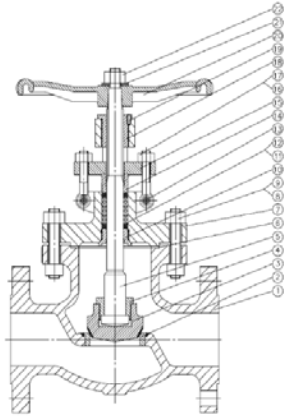
CAST STEEL BOLTED BONNET GLOBE VALVE

SIZES: 2" TO 42" (50MM TO 1050MM) PRESSURE CLASS: 150 TO 1500

GLOBE VALVE



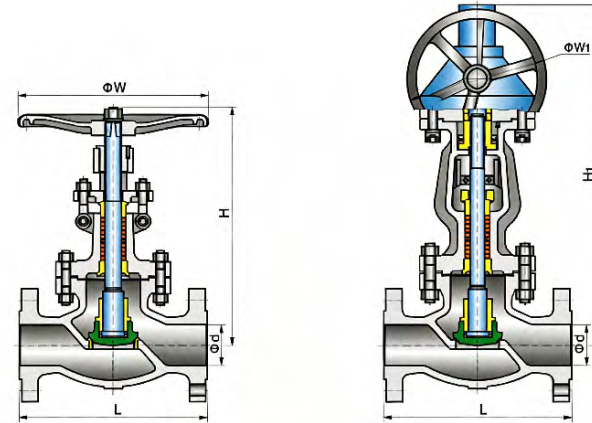
Features - Bolted Bonnet, Outside Screw and Yoke, Rising Stem, Plug Disc



Design and Manufacturing Standards	
Valve Design:	ASME B16.34 / BS1873
Flange Dimensions:	ASME B16.5/ ASME B16.47
BW End Dimensions:	ASME B16.25
Face to Face Dimensions:	ASME B16.10
Tested and Inspected:	API 598

NO.	Part	API Trim No.8	API Trim No.12	API Trim No.5	Stainless Steel
1	BODY	ASTM A216 WCB	ASTM A352 LCC	ASTM A217 WC6	ASTM A351 CF8M
2	SEAT RING	ASTM A105+STL	ASTM A182 F316+STL	ASTM A182 F11+STL	ASTM A182 F316+STL
3	DISC	ASTM A105+13cr	ASTM A182 F316	ASTM A182 F11+STL	ASTM A182 F316
4	DISCE NUT	ASTM A276 420	ASTM A276 420	ASTM A276 420	ASTM A276 316
5	STEM	ASTM A182 -F6a	ASTM A479 410	ASTM A276 410	ASTM A182 F316
6	GASKET	304+Graphite	304+Graphite	304+Graphite	316+Graphite
7	BONNET	ASTM A216 WCB	ASTM A352 LCC	ASTM A217 WC6	ASTM A351 CF8M
8	BONNET BOLT	ASTM A193-B7/B7M	ASTM A320-L7/L7M	ASTM A193 B16	ASTM A193 B8M
9	BONNET NUT	ASTM A194 2H/2HM	ASTM A194 7/7M	ASTM A194 7/7M	ASTM A194 8M
10	BACK SEAT	ASTM A276 410	ASTM A276 316	ASTM A479 410	ASTM A276 316
11	PACKING	Braided Graphite	Braided Graphite	Braided Graphite	Braided Graphite
12	PACKING	Flexible Graphite	Flexible Graphite	Flexible Graphite	Flexible Graphite
13	PIN	AISI 1045	AISI 1045	AISI 1045	ASTM A276 420
14	GLAND	ASTM A276 410	ASTM A276 410	ASTM A276 410	ASTM A276 316
15	GLAND FLANGE	ASTM A216 WCB	ASTM A352 LCC	ASTM A217 WC6	ASTM A351 CF8M
16	EYEBOLT	ASTM A193-B7/B7M	ASTM A320-L7/L7M	ASTM A193 B16	ASTM A193 B8M
17	NUT	ASTM A194 2H/2HM	ASTM A194 7/7M	ASTM A194 7/7M	ASTM A194 8M
18	STEM NUT	ASTM A439 D-2	ASTM A439 D-2	ASTM A439 D-2	ASTM A439 D-2
19	SCREW	AISI 1035	AISI 1035	AISI 1035	ASTM A276 304
20	HANDWHEEL	ASTM A536	ASTM A536	ASTM A536	ASTM A536
21	WASHER	AISI 1025	AISI 1025	AISI 1025	ASTM A276 420
22	HANDWHEEL NUT	ASTM A194 2H/2HM	ASTM A194 7/7M	ASTM A194 7/7M	ASTM A194 8M
23	APRON PLATE	Carbon Steel	Carbon Steel	Carbon Steel	ASTM A276 420
24	SCREW	AISI 1035	AISI 1035	AISI 1035	ASTM A276 304
25	IMPACT PLATE	ASTM A216 WCB	ASTM A216 WCB	ASTM A216 WCB	ASTM A216 WCB

CAST STEEL BOLTED BONNET GLOBE VALVE



CLASS 150	DIMENSIONS (mm)					Weight
SIZE	d	L(RF)	L(BW)	H / H1 (close)	W / W1	(kg)
2"	51	203	203	302	200	17
3"	76	241	241	357	300	37.5
4"	102	292	292	418	300	57
6"	152	406	406	446	400	89.5
8"	203	495	495	511	450	147.5
10"	254	622	622	581	550	196.5
12"	305	699	699	688	600	479
14"	337	787	787	1045	460*	580
16"	387	914	914	1372	610*	790
18"	438	978	978	1100	710*	850
20"	489	978	978	1177	610*	900
24"	591	1295	1295	1520	610*	1850

Note: 14" and above with Gear operation or on request. 16" and above with separate yoke construction.

CLASS 300	DIMENSIONS (mm)					Weight
SIZE	d	L(RF)	L(BW)	H / H1 (close)	W / W1	(kg)
2"	51	267	267	302	200	22.5
3"	76	318	318	357	300	46
4"	102	356	356	423	350	75
6"	152	445	445	534	450	138
8"	203	559	559	606	550	236.5
10"	254	622	622	738	700	380.5
12"	305	711	711	827	700	617
14"	337	838	838	1245	610*	810
16"	387	914	914	1410	610*	1130
18"	432	978	978	1456	610*	1600
20"	482.6	1016	1016	1538	1000*	1720
24"	584	1346	1346	1800	1000*	2780

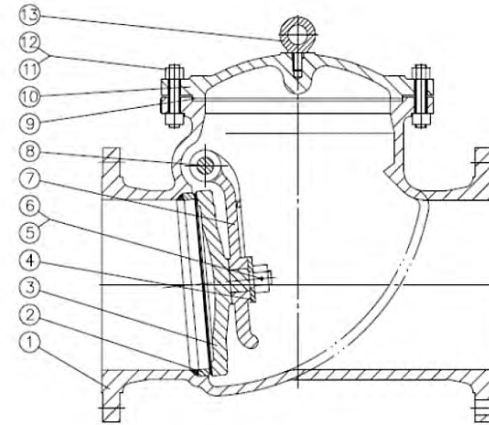
Note: All related data and parameters are for reference only and are subject to change without notice.

CHECK VALVE



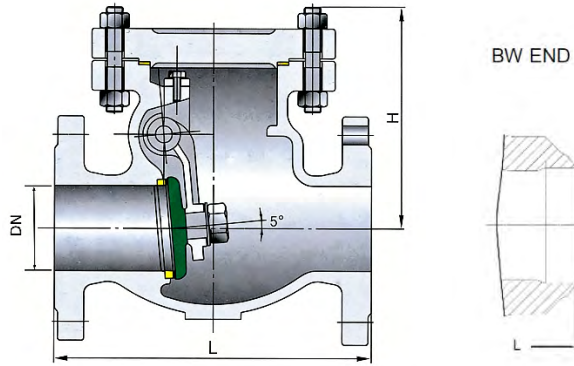
Features - Bolted Bonnet, Swing Type Disc

CAST STEEL BOLTED COVER SWING CHECK VALVE
SIZES: 2" TO 48" PRESSURE CLASS: 150 TO 1500



Design and Manufacturing Standards	
Valve Design:	ASME B16.34 / API 6D / API 594
Flange Dimensions:	ASME B16.5/ ASME B16.47
BW End Dimensions:	ASME B16.25
Face to Face Dimensions:	ASME B16.10
Tested and Inspected:	API 598

NO.	Part	API Trim No.8	API Trim No.12	API Trim No.5	Stainless Steel
1	BODY	ASTM A216 WCB	ASTM A352 LCC	ASTM A217 WC6	ASTM A351 CF8M
2	SEAT RING	ASTM A105+STL	ASTM A350 LF2+STL	ASTM A182 F11+STL	ASTM A182 F316+STL
3	DISC	ASTM A216 WCB+ Cr13	ASTM A352 LCC+316	ASTM A217 WC6+STL	ASTM A351 CF8M
4	WASHER	AISI 1035	ASTM A276 316	AISI 1035	ASTM A276 316
5	DISC NUT	ASTM A194 2H/2HM	ASTM A194 7/7M	ASTM A194 7/7M	ASTM A194 8M
6	DISC PIN	ASTM A276 304	ASTM A276 304	ASTM A276 304	ASTM A276 316
7	HINGE	ASTM A216 WCB	ASTM A352 LCC	ASTM A217 WC6	ASTM A351 CF8M
8	PIN	ASTM A479 410	ASTM A479 410	ASTM A479 410	ASTM A276 316
9	GASKET	304+Graphite	304+ Graphite	304+Graphite	316+Graphite
10	COVER	ASTM A216 WCB	ASTM A352 LCC	ASTM A217 WC6	ASTM A351 CF8M
11	BOLT	ASTM A193-B7/B7M	ASTM A320-L7/L7M	ASTM A193 B16	ASTM A193 B8M
12	NUT	ASTM A194 2H/2HM	ASTM A194 7/7M	ASTM A194 7/7M	ASTM A194 8M
13	EYEBOLT	AISI 1025	AISI 1025	AISI 1025	AISI 1025+Zn
14	PLUG	ASTM A105	ASTM A350 LF2	ASTM A182 F11	ASTM A276 316
15	GASKET	304+Graphite	304+ Graphite	304+Graphite	316+Graphite



CLASS 150		DIMENSIONS (mm)			Weight
SIZE	DN	L(RF)	L(BW)	H	(kg)
2"	51	203	203	131	2"
3"	76	241	241	159	3"
4"	102	292	292	209	4"
6"	152	356	356	251	6"
8"	203	495	495	310	8"
10"	254	622	622	376	10"
12"	305	698	698	424	12"
14"	337	787	787	461	14"
16"	387.4	864	864	645	16"
18"	438	978	978	650	18"
20"	489	978	978	655	20"
24"	591	1295.4	1295.4	797	24"
28"	685.8	1447.8	1447.8	957	28"
32"	781	1524	1524	1060	32"
36"	876	1956	1956	1244	36"
42"	1020	2261	2261	1398	42"
48"	1168	2337	2337	1473	48"

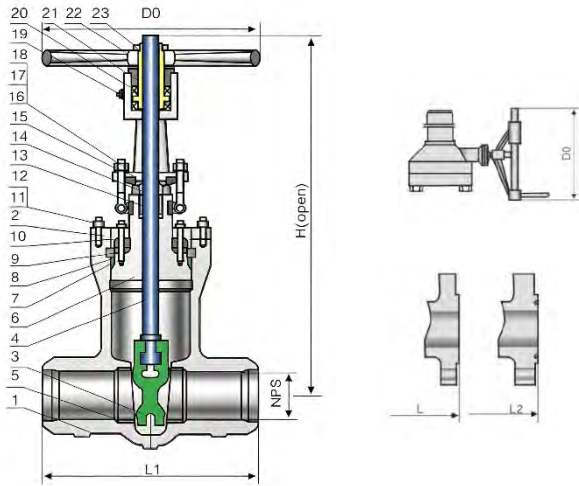
CLASS 300		DIMENSIONS (mm)			Weight
SIZE	DN	L(RF)	L(BW)	H	(kg)
2"	51	267	267	137	2"
3"	76	318	318	169	3"
4"	102	356	356	221	4"
6"	152	444	444	275	6"
8"	203	533	533	336	8"
10"	254	622	622	405	10"
12"	305	711	711	469	12"
14"	337	838	838	608	14"
16"	387.4	863.6	863.6	665	16"
18"	438	978	978	710	18"
20"	489	1016	1016	739	20"
24"	591	1346	1346	875	24"
26"	635	1346.2	1346.2	890	26"
28"	684	1499	1499	1011	28"
32"	779	1524	1524	1180	32"
36"	874	2083	2083	1187	36"

Cast Steel Bolted Bonnet Swing Check Valve

CLASS 600		DIMENSIONS (mm)			Weight
SIZE	DN	L(RF)	L(BW)	H	(kg)
2"	51	292	292	149	2"
3"	76	356	356	193	3"
4"	102	432	432	256	4"
6"	152	559	559	322	6"
8"	200	660	660	387	8"
10"	248	787	787	458	10"
12"	298.5	838	838	551	12"
14"	326.9	889	889	555	14"
16"	375	991	991	758	16"
18"	419	1092	1092	664	18"
20"	464	1194	1194	727	20"
24"	559	1397	1397	855	24"
26"	633	1448	1448	1056	26"
30"	736.6	1651	1651	1067	30"
36"	874	2082.8	2082.8	1289	36"

CLASS 900		DIMENSIONS (mm)			Weight
SIZE	DN	L(RF)	L(BW)	H	(kg)
2"	48	371	371	171	2"
3"	73	384	384	218	3"
4"	98.5	460	460	268	4"
6"	146	613	613	334	6"
8"	203.2	740	740	487	8"
10"	238	841	841	616	10"
12"	282	968	968	674	12"
14"	311.2	1039	1039	693	14"
16"	355.6	1140	1140	782	16"
18"	423	1232	1232	884	18"
20"	471	1334	1334	980	20"
24"	533	1568.5	1568.5	1129	24"
26"	578	1651	1651	1041	26"

CLASS 1500		DIMENSIONS (mm)			Weight
SIZE	DN	L(RF)	L(BW)	H	(kg)
2"	48	371	371	171	2"
3"	71	473	473	226	3"
4"	92	549	549	298	4"
6"	137	711	711	371	6"
8"	192	842	842	606	8"
10"	222	1001	1001	699	10"
12"	264	1146	1146	798	12"
14"	288.8	1276.4	1276.4	838	14"
16"	360	1408	1408	869	16"

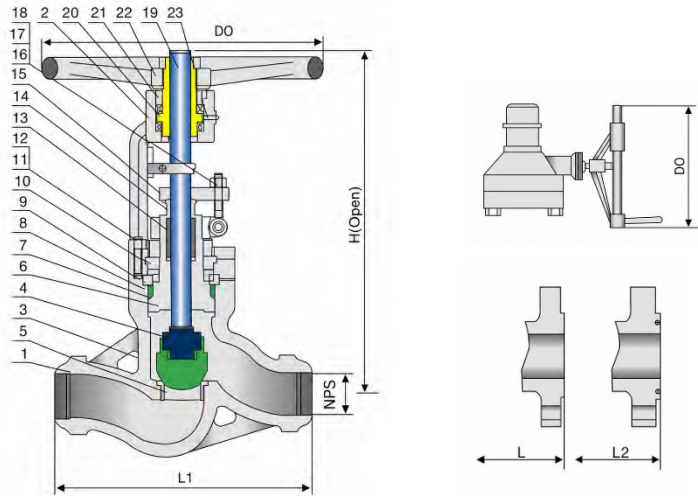


NO.	Part	Standard Carbon Steel	Cast Cr-Mo Alloy Steel	Cast Stainless Steel
1	Body	A216-WCB	A217-WC6	A351-CF8M
2	Yoke	A216-WCB	A217-WC6	A351-CF8M
3	Wedge	A216-WCB+HF	A217-WC6+HF	A351-CF8M+HF
4	Stem	A182-F6a	CR-MO-V	A182-316
5	Seat Ring	A105+HF	A182-F11+HF	A240-316+HF
6	Bonnet	A105	A182-F11	A240-316
7	Bonnet Gasket	Steel Ring	304SS RING	316SS RING
8	Adapter Ring	Carbon Steel	A276-420	A276-316
9	Retainer	Carbon Steel	A276-420	A276-316
10	Yoke Cap	Carbon Steel	Alloy Steel	Stainless Steel
11	Bonnet Stud	A193-B7	A193-B16	A193-B8M
12	Bonnet Stud Nut	A194-2H	A194-7	A194-8M
13	Packing	Graphite	Graphite	Graphite
14	Gland	A276-420	A276-304	A276-316L
15	Gland Flange	A216-WCB	A217-WC6	A351-CF8M
16	Eyebolt Pin	Carbon Steel	A276-420	A276-316
17	Eyebolt	Carbon Steel	A193-B7	A193-B8
18	Eyebolt Nut	Carbon Steel	A194-2H	A194-8
19	Grease Fitting	Brass	Brass	Brass
20	Yoke Sleeve	Aluminum-Bronze	Aluminum-Bronze	Aluminum-Bronze
21	Yoke Sleeve Nut	Carbon Steel	Carbon Steel	Stainless Steel
22	Handwheel	Malleable Iron	Malleable Iron	Malleable Iron
23	Handwheel Nut	Carbon steel	Carbon steel	Carbon steel

Cast Steel Pressure Seal Bonnet Gate Valve 900LB/1500LB/2500LB

CLASS 900	DIMENSIONS (mm)					Weight (kg)	
SIZE	L1 (BW)	L (RF)	L2 (RTJ)	H (open)	D0	BW	RF/RTJ
2"	216	368	371	448	350	39	69
2.5"	254	419	422	448	350	39	69
3"	305	381	384	495	350	48	72
4"	356	457	460	580	450	69	110
6"	508	610	613	830	600	158	253
8"	660	737	740	955	700	289	430
10"	787	838	841	1165	850	482	710
12"	914	965	968	1350	850	710	1025
14"	991	1029	1038	1500	850	998	1452
16"	1092	1130	1140	1790	850	1390	1960
CLASS 1500	DIMENSIONS (mm)					Weight (kg)	
SIZE	L1 (BW)	L (RF)	L2 (RTJ)	H (open)	D0	BW	RF/RTJ
2"	216	368	371	448	350	45	80
2.5"	254	419	422	448	350	45	80
3"	305	470	473	550	350	55	95
4"	406	546	549	640	450	77	123
6"	559	705	711	850	600	175	283
8"	711	832	841	980	700	323	481
10"	864	991	1000	1180	850	540	795
12"	991	1130	1146	1580	850	795	1148
14"	1067	1257	1276	1790	850	1115	1626
16"	1194	1384	1407	1980	850	1556	2195
CLASS 2500	DIMENSIONS (mm)					Weight (kg)	
SIZE	L1 (BW)	L (RF)	L2 (RTJ)	H (open)	D0	BW	RF/RTJ
2"	279	451	454	570	350	110	165
2.5"	330	508	514	570	350	110	195
3"	368	578	584	650	450	150	235
4"	457	673	683	760	600	175	316
6"	610	914	927	930	700	380	635
8"	762	1022	1038	1050	850	575	910
10"	914	1270	1292	1140	850	980	1780
12"	1041	1422	1445	1530	850	1570	2680

Note: All related data and parameters are for reference only and are subject to change without notice.

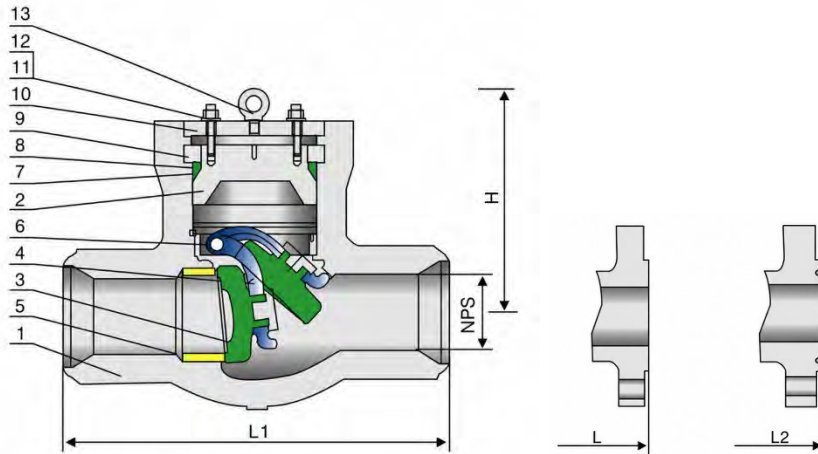


NO.	Part	Standard Carbon Steel	Cast Cr-Mo Alloy Steel	Cast Stainless Steel
1	Body	A216-WCB	A217-WC6	A351-CF8M
2	Yoke	A216-WCB	A217-WC6	A351-CF8M
3	Disc	A216-WCB+HF	A217-WC6+HF	A351-CF8M+HF
4	Stem	A182-F6a	CR-MO-V	A182-316
5	Seat Ring	A105+HF	A182-F11+HF	A240-316+HF
6	Bonnet	A105	A182-F11	A240-316
7	Bonnet Gasket	Steel Ring	304SS RING	316SS RING
8	Adapter Ring	Carbon Steel	A276-420	A276-316
9	Retainer	Carbon Steel	A276-420	A276-316
10	Yoke Cap	Carbon Steel	Alloy Steel	Stainless Steel
11	Bonnet Stud	A193-B7	A193-B16	A193-B8M
12	Bonnet Stud Nut	A194-2H	A194-7	A194-8M
13	Packing	Graphite	Graphite	Graphite
14	Gland	A276-420	A276-304	A276-316L
15	Gland Flange	A216-WCB	A217-WC6	A351-CF8M
16	Eyebolt Pin	Carbon Steel	A276-420	A276-316
17	Eyebolt	Carbon Steel	A193-B7	A193-B8
18	Eyebolt Nut	Carbon Steel	A194-2H	A194-8
19	Grease Fitting	Brass	Brass	Brass
20	Yoke Sleeve	Aluminum-Bronze	Aluminum-Bronze	Aluminum-Bronze
21	Yoke Sleeve Nut	Carbon Steel	Carbon Steel	Stainless Steel
22	Handwheel	Malleable Iron	Malleable Iron	Malleable Iron
23	Handwheel Nut	Carbon steel	Carbon steel	Carbon steel

Cast Steel Pressure Seal Bonnet Globe Valve 900LB/1500LB/2500LB

CLASS 900	DIMENSIONS (mm)					Weight (kg)	
SIZE	L1 (BW)	L (RF)	L2 (RTJ)	H (open)	D0	BW	RF/RTJ
2"	216	368	371	557	400	46	75
2.5"	254	419	422	557	400	53	82
3"	305	381	384	557	400	68	95
4"	356	457	460	685	400	100	135
6"	508	610	613	925	700	270	355
8"	660	737	740	1100	700	450	680
10"	787	838	841	1285	900	740	1050
12"	914	965	968	1450	900	1150	1480
CLASS 1500	DIMENSIONS (mm)					Weight (kg)	
SIZE	L1 (BW)	L (RF)	L2 (RTJ)	H (open)	D0	BW	RF/RTJ
2"	216	368	371	557	400	57	86
2.5"	254	419	422	557	450	65	112
3"	305	470	473	620	500	90	162
4"	406	546	549	760	600	190	240
6"	559	705	711	1135	700	450	580
8"	711	832	842	1390	900	730	950
CLASS 2500	DIMENSIONS (mm)					Weight (kg)	
SIZE	L1 (BW)	L (RF)	L2 (RTJ)	H (open)	D0	BW	RF/RTJ
2"	279	451	454	595	400	65	115
2.5"	330	508	514	595	500	78	136
3"	368	578	584	710	600	125	205
4"	457	673	683	820	700	155	275
6"	610	914	927	1260	900	480	860

Note: All related data and parameters are for reference only and are subject to change without notice.



NO.	Part	Standard Carbon Steel	Cast Cr-Mo Alloy Steel	Cast Stainless Steel
1	Body	A216-WCB	A217-WC6	A351-CF8M
2	Pres. Seal Bonnet	A216-WCB	A217-WC6	A351-CF8M
3	Disc	A105+HF	A182-F11+HF	A351-CF8M+HF
4	Hinge	A216-WCB	A217-WC6	A351-CF8M
5	Seat Ring	A105+HF	A182-F11+HF	A240-316+HF
6	Hinge Pin	A276-420	A276-304	A276-316
7	Bonnet Gasket ¹⁾	Steel Ring	304SS Ring	316SS RING
8	Adapter Ring	Carbon Steel	A276-420	A276-316
9	Retainer	Carbon Steel	A276-420	A276-316
10	Cover	Carbon Steel	Alloy Steel	Stainless Steel
11	Bonnet Stud	A193-B7	A193-B7	A193-B8M
12	Bonnet Stud Nut	A194-2H	A194-2H	A194-8M
13	Eyebolt	Carbon Steel	Carbon Steel	Stainless Steel

Cast Steel Pressure Seal Cover Check Valve 1500LB/2500LB

CLASS 1500		DIMENSIONS (mm)				Weight (kg)	
SIZE	L1 (BW)	L (RF)	L2 (RTJ)	H (open)	D0	BW	RF/RTJ
2"	216	368	371	240	22	44	216
2.5"	254	419	422	240	37	61	254
3"	305	470	473	300	45	110	305
4"	406	546	549	390	78	155	406
6"	559	705	711	455	245	378	559
8"	711	832	842	525	530	675	711
10"	864	991	1000	610	815	1160	864
12"	991	1130	1146	685	1213	1710	991
14"	1067	1257	1276	760	1555	2315	1067

CLASS 2500		DIMENSIONS (mm)				Weight (kg)	
SIZE	L1 (BW)	L (RF)	L2 (RTJ)	H (open)	D0	BW	RF/RTJ
2"	279	451	454	260	55	93	279
2.5"	330	508	514	260	78	130	330
3"	368	578	584	350	95	170	368
4"	457	673	683	410	182	315	457
6"	610	914	927	480	300	618	610
8"	762	1022	1038	570	630	1125	762
10"	914	1270	1292	640	825	1760	914
12"	1041	1422	1445	815	1580	2910	1041

Note: All related data and parameters are for reference only and are subject to change without notice.